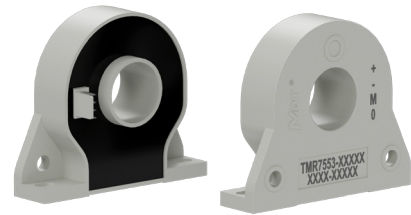


TMR7553-P

Unibody Precision Current Sensor

Description

TMR7553-P is a close loop current sensor for accurate measurement of DC, AC, pulsed current and arbitrary waveform current with galvanic isolation between primary and secondary circuits.



Features and Benefits

- High accuracy
- Excellent linearity
- Ultra low temperature drift
- Fast response time
- Galvanic isolation
- High immunity to external interference
- Anti-CAF
- RoHS & REACH compliant

Applications

- DC motor drives
- Inverter and variable frequency drives (VFD)
- Uninterruptible power supplies (UPS)
- Power supplies for welding application
- Switching power supplies

Selection Guide

Part Number	Primary Nominal Current	Primary Current Measuring Range
TMR7553-1000P	100 A	±200 A
TMR7553-2000P	200 A	±400 A
TMR7553-3000P	300 A	±600 A

Insulation and Environmental Characteristics

Parameters	Symbol	Typ.	Unit
Dielectric Strength	V_D	5	kV(50 Hz, 1 min)
Insulation Resistance	R_{IS}	1000	$M\Omega$
Creepage Distance	d_{CP}	20	mm
Clearance	d_{CL}	5	mm
Ambient Operating Temperature	T_A	-40 to +105	$^{\circ}C$
Ambient Storage Temperature	T_{STG}	-40 to +105	$^{\circ}C$
Mass	m	78	g

Catalogue

1. Specifications	03
2. Typical Output Characteristics	04
3. Parameters Definition and Formula	05
4. Application Information	06
5. Dimensions	07

1. Specifications

$T_A = +25\text{ }^\circ\text{C}$, $V_{CC} = \pm 15\text{ V}$, $R_M = 5\text{ }\Omega$, unless otherwise noted

Parameter	Symbol	Condition	Min.	Typ.	Max.	Unit
General Electrical Data						
Primary Nominal Current	I_{PN}	TMR7553-1000P	-	100	-	A
		TMR7553-2000P	-	200	-	
		TMR7553-3000P	-	300	-	
Primary Current Measuring Range	I_{PM}	TMR7553-1000P	-200	-	200	A
		TMR7553-2000P	-400	-	400	
		TMR7553-3000P	-600	-	600	
Sensitivity	S	$I_P = 0$ to $\pm I_{PN}$	-	0.5	-	mA/A
Number of Secondary Turns	N_S	-	-	2000	-	-
Output Current	I_{OUT}	$I_P = 0$ to $\pm I_{PM}$	-	$I_{OE} + S \times I_P$	-	V
Supply Voltage	V_{CC}	$\pm 5\%$	± 12	± 15	± 20	V
Current Consumption	I_C	$I_P = 0$	-	± 15	-	mA
Secondary Coil Resistance	R_S	$T_A = +25\text{ }^\circ\text{C}$	-	-	23	Ω
Measuring Resistance	R_M	For maximum measuring resistance value, please refer to Figure 2, 3, 4, 5, 6	0	-	-	Ω
Static Performance Data						
Accuracy	X_G	$T_A = +25\text{ }^\circ\text{C}$, $I_P = 0$ to $\pm I_{PN}$	-	± 0.05	-	% I_{PN}
		$T_A = -40\text{ }^\circ\text{C}$ to $+105\text{ }^\circ\text{C}$, $I_P = 0$ to $\pm I_{PN}$	-0.2	± 0.1	0.2	
Linearity Error	ϵ_L	$T_A = -40\text{ }^\circ\text{C}$ to $+105\text{ }^\circ\text{C}$, $I_P = 0$ to $\pm I_{PN}$	-	± 0.02	-	% I_{PN}
Offset Error	I_{OE}	$T_A = +25\text{ }^\circ\text{C}$, $I_P = 0$	-	± 0.05	-	mA
		$T_A = -40\text{ }^\circ\text{C}$ to $+105\text{ }^\circ\text{C}$	-	± 0.1	-	mA
Hysteresis	I_{OH}	$I_P = \pm I_{PN} \rightarrow 0$	-	± 0.05	-	mA
Dynamic Performance Data						
Response Time	t_R	$di/dt > 50\text{ A}/\mu\text{s}$, 10% to 90% of I_{PN}	-	1	-	μs
Bandwidth	BW	-3 dB	DC	-	200	kHz

2. Typical Output Characteristics

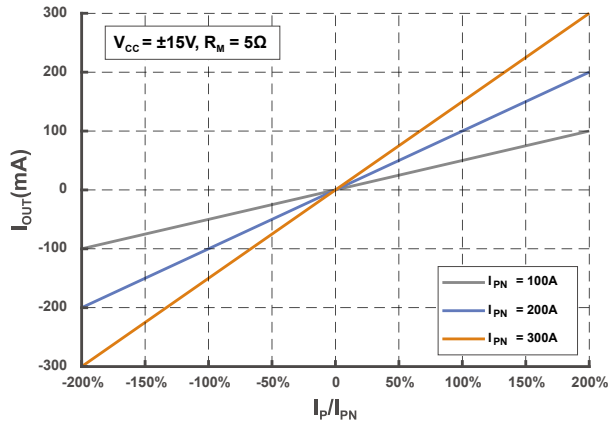


Figure 1. Output Voltage vs Primary Current

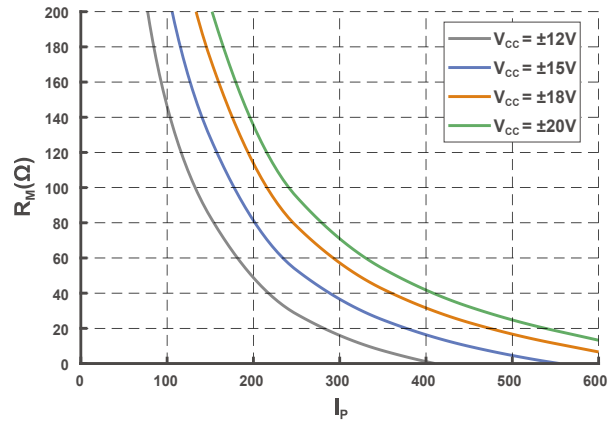


Figure 2. Measuring Resistance (@ $T_A = 105\text{ °C}$)

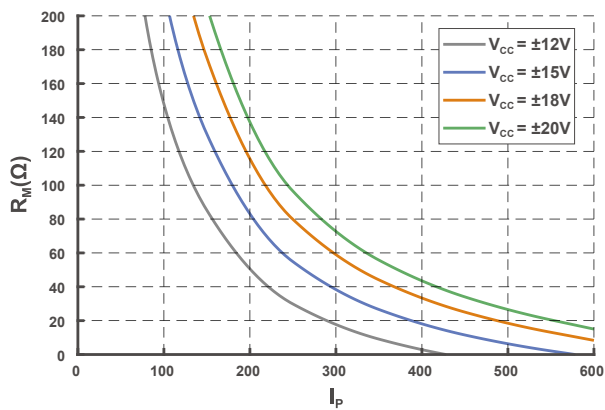


Figure 3. Measuring Resistance (@ $T_A = 85\text{ °C}$)

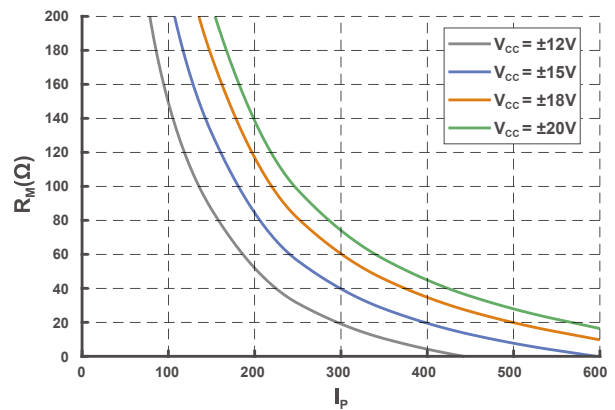


Figure 4. Measuring Resistance (@ $T_A = 70\text{ °C}$)

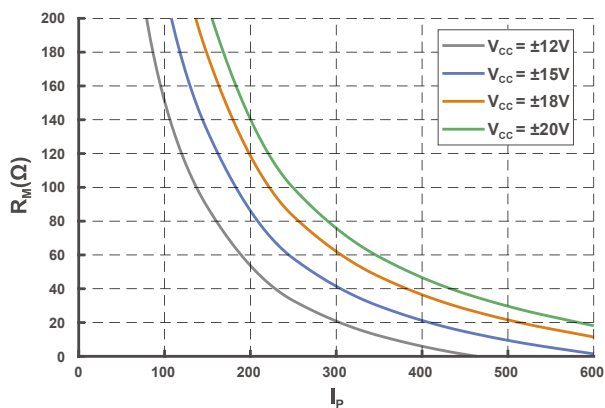


Figure 5. Measuring Resistance (@ $T_A = 50\text{ °C}$)

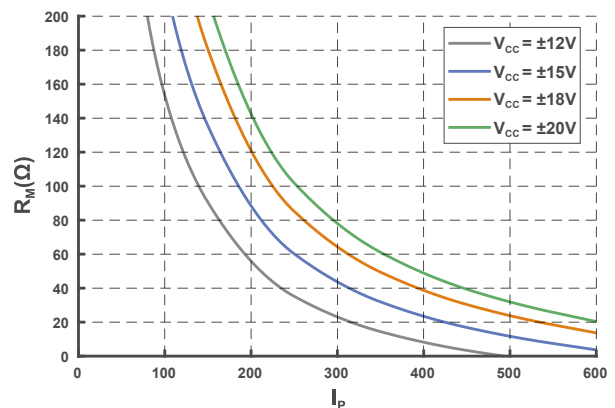


Figure 6. Measuring Resistance (@ $T_A = 25\text{ °C}$)

3. Parameters Definition and Formula

1) Output Current

$$I_{OUT} = I_{OE} + S \times I_P$$

I_{OUT} stands for current sensor output current at given primary current, I_{OE} stands for offset error, S stands for sensitivity, I_P stands for primary current.

2) Accuracy

$$X_G = \text{MAX}_{I_P \in [-I_{PN}, I_{PN}]} \left(\frac{I_{OUT} - (S \times I_P)}{S \times I_{PN}} \times 100\% \right)$$

I_{PN} stands for nominal primary current.

3) Sensitivity

$$S = \frac{I_{OUT(@ I_{PN})} - I_{OUT(@ -I_{PN})}}{2 \times I_{PN}}$$

$I_{OUT(@ I_{PN})}$ and $I_{OUT(@ -I_{PN})}$ stand for the current output at I_{PN} and $-I_{PN}$ respectively.

4) Linearity

$$\varepsilon_L = \text{MAX}_{I_P \in [-I_{PN}, I_{PN}]} \left(\frac{I_{OUT} - (\bar{I}_{OE} + \bar{S} \times I_P)}{S \times I_{PN}} \times 100\% \right)$$

\bar{S} and \bar{I}_{OE} stand for the average values of the sensitivity and offset error.

5) Symmetry

$$\varepsilon_{SYM} = \frac{|I_{OUT(@ I_{PN})} - \bar{I}_{OE}|}{|I_{OUT(@ -I_{PN})} - \bar{I}_{OE}|} \times 100\%$$

6) Hysteresis

$$I_{OH} = \text{MAX } \Delta H$$

ΔH is the maximum residual output current between full scale positive and negative nominal current.

7) Measuring Resistance

$$R_{M \text{ MAX}} = N_S \times \frac{V_{CC} - 3.7V}{I_P} - 4 - R_S \times \frac{234.5 + T_A}{234.5 + 25}$$

$R_{M \text{ MAX}}$ is the maximum measuring resistance, N_S is the number of turns of the secondary coil winding and T_A stands for ambient operating temperature.

4. Application Information

Electrical Connection

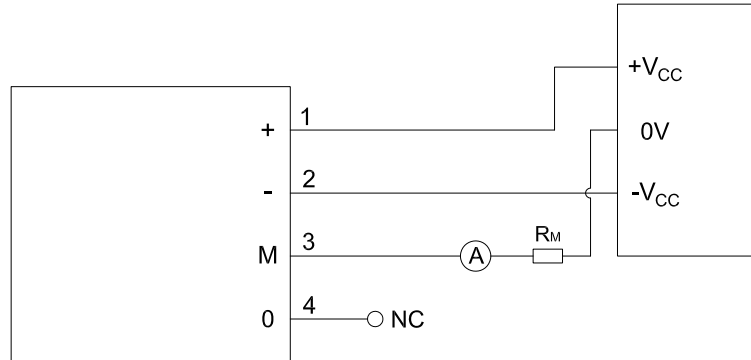


Figure 7. Electrical Connection

Mounting Recommendation

1. Mounting method:
 - 1 × Φ 4.2 mm hole and 1 × Φ 4.2 mm slotted hole
 - 2 × M4 copper or SS304 screws (Recommended torque 1.2 N·m)
 - Or
 - 2 × Φ 5.4 mm hole
 - 2 × M5 copper or SS304 screws (Recommended torque 1.2 N·m)
2. Primary through hole dimensions: Φ 20 mm
3. Secondary electrical connection:
 - Molex 22041041 (Molex 5045-04A)
 - Crimp Housing: Molex 22011042
 - Crimping Terminal: Molex 08500113

Remarks

1. I_{OUT} is positive when the primary current (I_P) is in the same direction as the arrow indication on the label and vice versa.
2. Improper connection may result in permanent damage of the sensor.
3. Sensor secondary circuitry must be powered prior primary current is being added and when depowering secondary circuitry, primary current must be close to 0A. Improper procedure may result in worse accuracy or result in permanent damage of the sensor.
4. Dynamic performances (di/dt and response time) are best with a single busbar completely filling the primary through hole.
5. Sensor is customizable upon request.

5. Dimensions

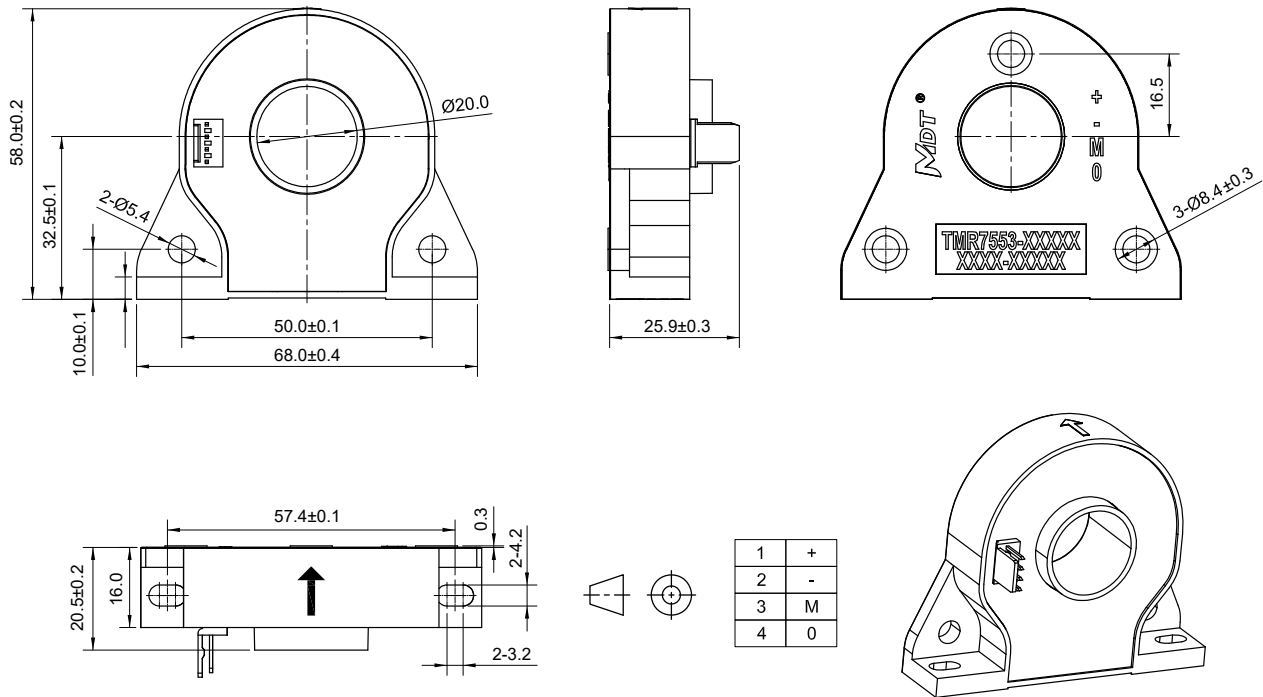


Figure 8. Dimension (unit: mm, tolerances for unmarked scales ± 1 mm)

Copyright © 2024 by MultiDimension Technology Co., Ltd.

Information furnished herein by MultiDimension Technology Co., Ltd. (hereinafter MDT) is believed to be accurate and reliable. However, MDT disclaims any and all warranties and liabilities of any kind, with respect to any examples, hints or any performance or use of technical data as described herein and/or any information regarding the application of the product, including without limitation warranties of non-infringement of intellectual property rights of any third party. This document neither conveys nor implies any license under patent or other industrial or intellectual property rights. Customer or any third-party must further determine the suitability of the MDT products for its applications to avoid the applications default of customer or third-party. MDT accept no liability in this respect.

MDT does not assume any liabilities of any indirect, incidental, punitive, special or consequential damages (including without limitation of lost profits, lost savings, business interruption, costs related to the removal or replacement of any products or rework charges) whether or not such damages are based on tort (including negligence), warranty, breach of contract or any other legal theory. Notwithstanding any damages that customer might incur for any reason whatsoever, MDT's aggregate and cumulative liability towards customer for the products described herein shall be limited in accordance with the terms and conditions of commercial sale of MDT.

Absolute maximum ratings are the extreme limits the device will withstand without damage to the MDT product. However, the electrical and mechanical characteristics are not guaranteed as the maximum limits (above recommended operating conditions) are approached. MDT disclaims any and all warranties and liabilities of the MDT product will operate at absolute maximum ratings.

Specifications may change without notice.

Please download latest document from our official website www.dowaytech.com/en.

Recycling

The product(s) in this document need to be handed over to a qualified solid waste management services company for recycling in accordance with relevant regulations on waste classification after the end of the product(s) life.



No.2 Guangdong Road, Zhangjiagang Free Trade Zone, Jiangsu, China

Web: www.dowaytech.com/en E-mail: info@dowaytech.com

